

ON OFF TYPE

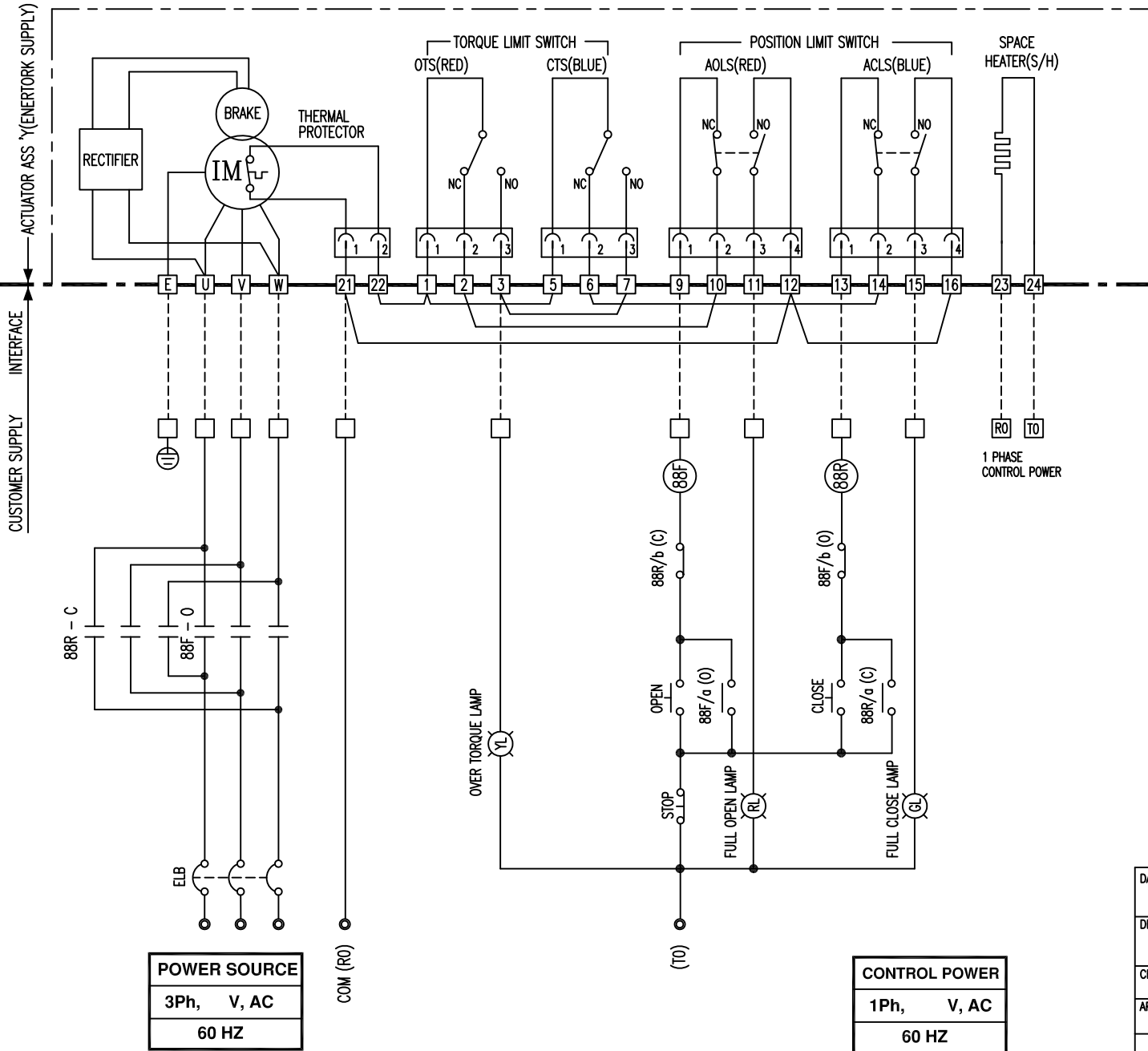
DRAWING HISTORY

SYM	DATE	DESCRIPTION	DRWN.	CHKD.	APRD.
△					

**** LIMIT SWITCH POSITION ****

ROTOR	NAME	CON TACT	VALVE OPENING (%)	
			0	100
#1	AOLS	11-12		
		09-10		
#2	ACLS	15-16		
		13-14		
O / T	AOTS	1-3		
		1-2		
C / T	ACTS	5-7		
		5-6		

DURING CYCLE
OVER TORQUE



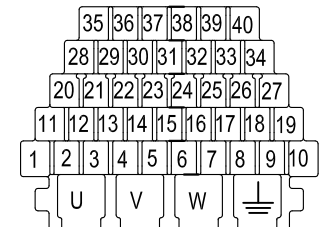
**** NOTE ****

1. : PIN CONNECTOR
2. : JUMPED(ENERTEK SUPPLY)
3. PIN CONNECTOR COLOR

OPEN 색 CONNECTOR	CLOSE 색 CONNECTOR
RED (적색)	BLUE (청색)

OLS/AOLS2 : OPEN LIMIT SWITCH
 CLS/ACLS2 : CLOSE LIMIT SWITCH
 OTS/AOTS : OPEN TORQUE LIMIT SWITCH
 CTS/ACTS : CLOSE TORQUE LIMIT SWITCH

**** TERMINAL BLOCK ****



POWER SOURCE	
3Ph,	V, AC
60 HZ	

CONTROL POWER	
1Ph,	V, AC
60 HZ	

DATE	DWG TITLE	SCHEMATIC WIRING DIAGRAM (TM-BASIC-BRAKE MOTOR-40PIN)			
2016.05.27		DWG NO.		REV. NO.	
DRWN. J D J		TM11-110-0030-G			
CHKD. Y D P	SCALE N S	WEIGHT kg	SHEET NO. 1 OF 1		
APRD. J Y C					